

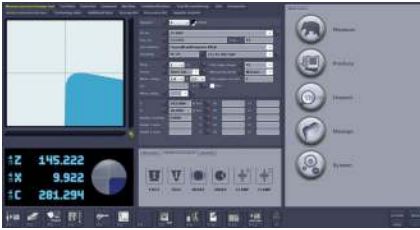


»phoenix« The Measurement Specialist for Precision Boring Tools

Highlights

- Pneumatically supported tailstock
- Tool holder spindle with universal power clamping for steep taper, HSK and tool holder systems such as Capto and Kennametal
- Specific measuring programs in the »pilot« measuring device software
- Membrane keypad for power-activated spindle functions
- Robust and equipped for the shop floor
- Consistent use of brand name products

Software



The Modular Image Processing Software »pilot 3.0«

- Graphical user interface
- Photorealistic input dialog
- Dynamic cross-hairs
- Self-explanatory function keys
- Automatic cutting edge form detection
- Automatic zero-point monitoring
- Adjustable LED lighting for crystal clear display and inspection of cutting edges
- Tool and adapter management
- Tool identification
- Inspection record output
- Data transfer to machines and interfaces to third-party systems

and many more functions and options

► more

Technical data

»phoenix 600«

Measuring range Z

600 / 800 / 1000 mm

Snap gage Ø

200 mm

Measuring range X

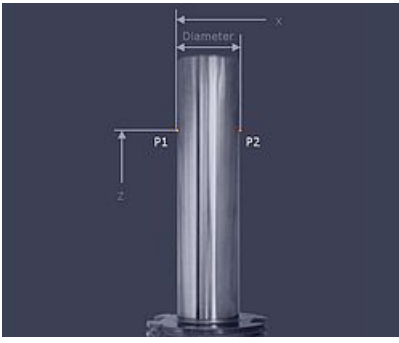
220 and 100 mm

Measurement programs



Diameter, Chamfer Lead, Taper, Distance at Single Cutting Edge Reamers

Measuring program for the measurement of single cutting edge reamers with support bar and with the snap gauge method.



Diameter

Measuring program for the determination of diameters of cutting tools with the snap gauge method.



Diameter - 180° Index

Measuring program for the determination of radius and diameter.

Precision Starts Before the Machine

Do you want to preset your precision boring tools timely and μm -accurately in order to avoid rejects and to reduce your tool costs?

Then you are best equipped with the ZOLLER presetting and measuring machine »phoenix«. With »phoenix« it is possible for you to hold your tools between centers and to measure each parameter fully automatically in the snap gauge principle. This gives you maximum accuracy for the best quality of your workpieces and longer tool life. The ZOLLER »phoenix« gives you maximum efficiency and productivity in your manufacturing.

